

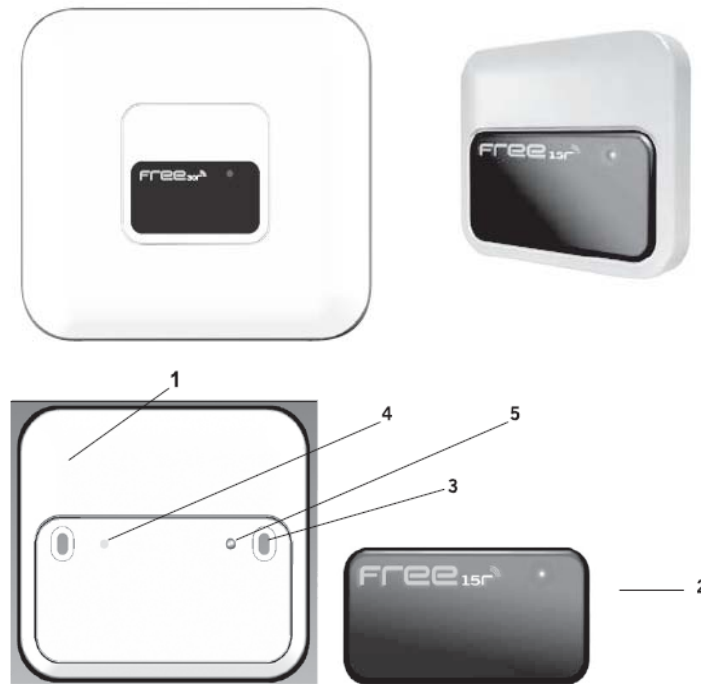
FREE 15 R / FREE 30 R

Hands free activator.

TECHNICAL CHARACTERISTICS

	FREE 15 R	FREE 30 R
Operating frequency	125kHz	
Electricity	12/24V(ac)/(dc) +/- 10%	
Consumption	50mA	
Radiated power	<25mW	
Wiring	4 wires	
Op. temperature	-20°C - +55°C	
Airtightness	IP66	
Size	87 x 78 x 15,5 mm	205 x 183 x 14 mm
Enabling area (hands-free mode)	1.5m	3m

INSTALLATION (figure A)

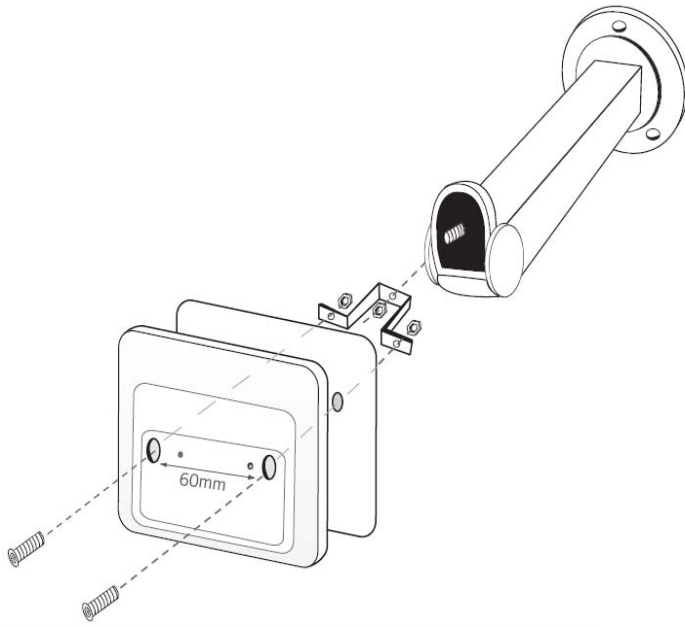


The activator is formed by two parts: a compact box (1) with a plastic front part and the wiring outlet at the back and an adhesive trim (2). It is designed to be fitted directly to or built into the wall. It is secured by two screws (3), separated by 60mm (ideal separation if it is built-into a standard plug or socket box). The adhesive is fitted over Position 2 in the Figure, ensuring that the led (5) is visible through the adhesive window. Before fitting the adhesive, screw in and configure the activator.

N.B.: The activator should not be installed on metal surfaces, as this may reduce the enabling area.

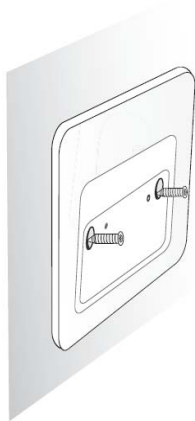
FREE 15 R / FREE 30 R

A) FIJACIÓN SOPORTE / SUPPORT FIXING

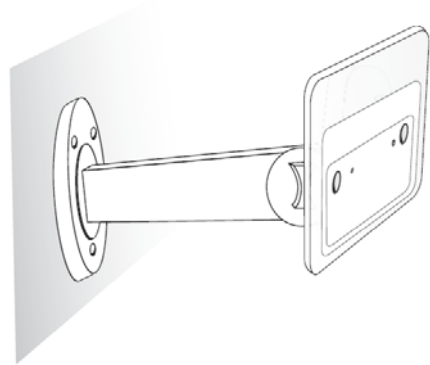


B) EJEMPLOS DE INSTALACIÓN / INSTALLATION EXAMPLES

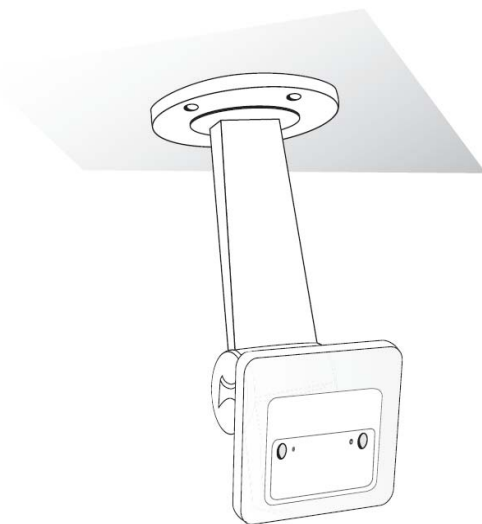
B1



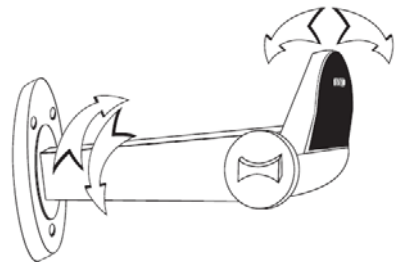
B3



B2



B4



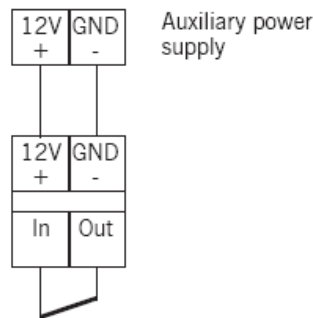
FREE 15 R / FREE 30 R

CONNECTION

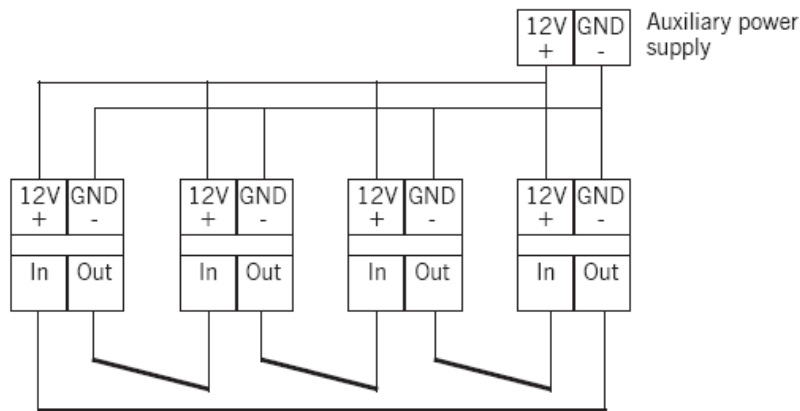
Connection is made through the wiring from the rear, which is connected directly to the auxiliary power supply.

Signal	Cable colour
+ (12V)	Red
- (GND)	Black
Sync IN	Green
Sync OUT	White

Wiring diagram for the installation of an activator: Where one activator only is to be used, the IN and OUT synch. signals must be short circuited.



Wiring diagram for the installation of more than one activator in series (maximum 4) and avoiding interference between them. To do so, the OUT synch. signal must be connected to the IN synch. signal of the following activator.



CONFIGURATION OF CHANNELS AND GROUPS

Use the button (4) to configure the activator's operating mode.

Channel configuration: Keep the configuration button pressed down until the number of long red signals is equal to the channel to be configured. For example, if you want to configure channel 2, release the button after the second long red signal.

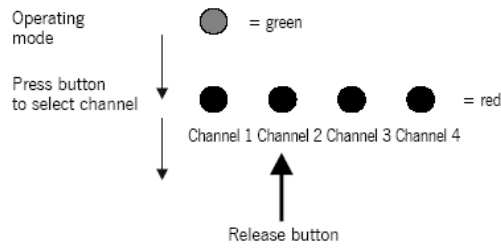
Group configuration: Press the configuration button and keep it pressed down. The led will issue the red channel configuration signals followed by a series of flashing green signals to indicate that the open group will start the group selection sequence (long green signals indicating groups 1 to 7). Release the button at the required group. For example, if you want to configure group 5, release the button after the fifth long green signal.

The procedure can be carried out as many times as required.

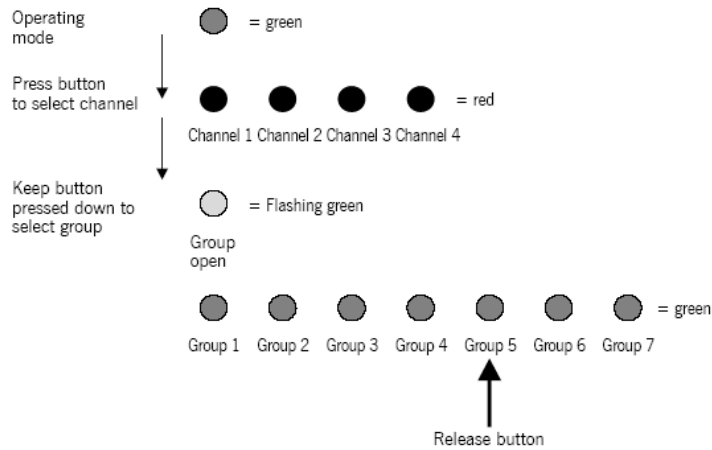
FREE 15 R / FREE 30 R

Sequence for configuring channels and groups (e.g. channel 2, group 5)

Channel 2 Configuration



Group 5 Configuration



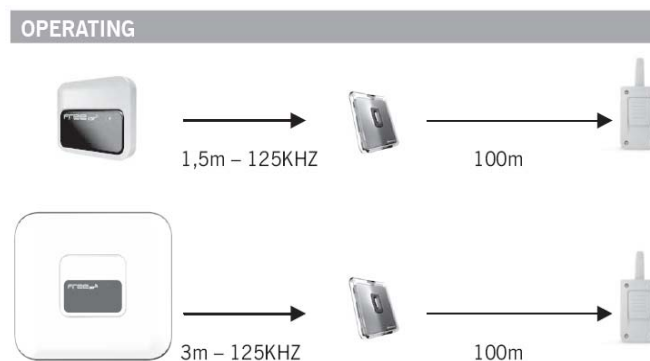
Channel: This allows for the channel to be sent to the receiver to be selected.

Group: This allows for the installation of more independently enabled doors (to a total of 22).

OPERATING

When the equipment is switched on, the led will make 3 flashes.

By bringing the tag/transmitter close to the hands-free activator or pressing the button, the activator will send a signal to the receiver in which it is programmed.



JCM TECHNOLOGIES, S.A. declares that the product FREE 15 R is compliant with the requirements of the 1999/5/EEC Radio Equipment and Telecommunication Terminal Equipment Directive, provided it is used as established.

CE DECLARATION OF CONFORMITY

See website: www.jcm-tech.com